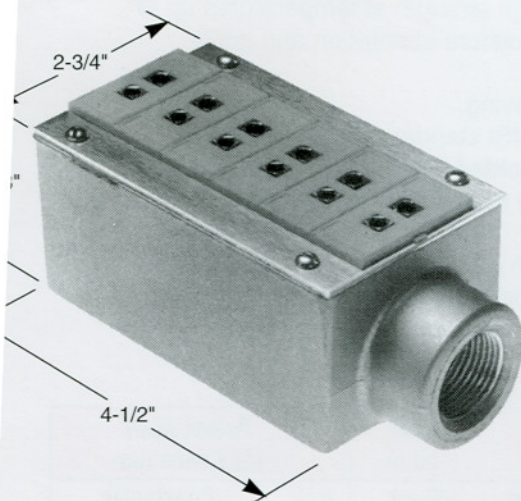
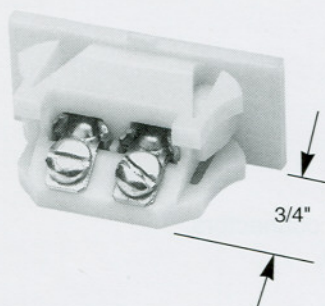
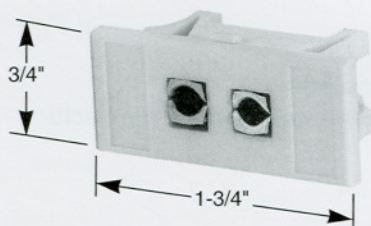


Jack Panel FS Box



- 1 to 6 circuits.
- Standard size aluminum panel (4 1/2" high by 2 3/4" wide).
- Panel jacks color coded for calibration identification per ISA and ANSI.
- Maximum temperature rating 400°F (204°C).
- Mating plugs standard 2 pole.
- Panel jacks constructed with heavy duty spring loaded inserts to insure positive plug engagement.
 - Multi calibration available in same panel.
 - Accommodate wire sizes to 14 awg.
- Conduit Boxes.
 - Cast aluminum box especially selected to fit the 1 to 6 circuit aluminum panel.
 - 3/4" NPT connection accommodates use of a cable clamp or mounting conduit.

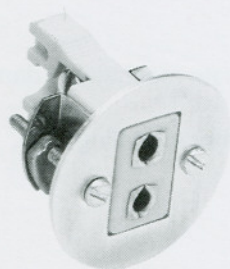
Ordering Code	ANSI Calibration Code		Ordering Code	ANSI Calibration Code	
FS-*-J	Iron	Constantan	FS-*-T	Copper	Constantan
FS-*-K	Chromel	Alumel	FS-*-R/S	Platinum/Rhodium-Platinum	
FS-*-E	Chromel	Constantan	FS-*-CU	Uncompensated	



2 Pole Snap-in Panel Jack

- Snap in panel jacks.
- Bezel face color coded nylon inserts.
- Designed for ease of installation and removal.
- Flexible retaining tabs secure panel.
- Temperature to 400°F (204°C).
- Accepts wire up to 14 awg.
- Heavy duty spring loaded inserts to insure positive plug connection.
- Accepts any standard size male thermocouple connector.
- Requires 0.635 x 1.195 cut-out.

Ordering Code	ANSI Calibration Code		Ordering Code	ANSI Calibration Code	
PJ-J	Iron	Constantan	PJ-T	Copper	Constantan
PJ-K	Chromel	Alumel	PJ-R/S	Platinum/Rhodium-Platinum	
PJ-E	Chromel	Constantan	PJ-CU	Uncompensated	



2 Pole Single Circuit Jack Panel

- Designed for installation into panels up to 7/16" thick.
- Wiring and installation from front of panel.
- Fits into 3/4" knockout.
- Insert color coded per ISA and ANSI designations.
- Temperatures to 425°F (218°C).
- Hardware available separately - without jack.

Ordering Code	ANSI Calibration Code		Ordering Code	ANSI Calibration Code	
SCJP-J	Iron	Constantan	SCJP-R/S	Platinum/Rhodium-Platinum	
SCJP-K	Chromel	Alumel	SCJP-CU	Uncompensated	
SCJP-E	Chromel	Constantan	SCJP	Panel Only	
SCJP-T	Copper	Constantan			