

PRECISION MEASUREMENTS

BAYONET TYPE

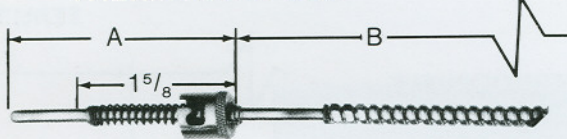
For Use To 800°F.

WITH FIXED LENGTH

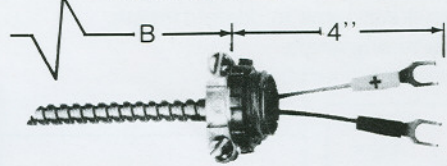
STRAIGHT

Catalog Number	Terminal Type
L08-4	1
L08-7	2
L08-10	3

THERMOCOUPLES



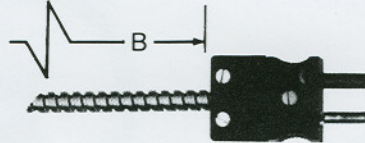
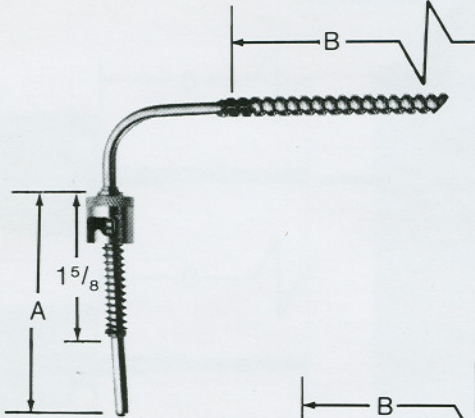
TERMINALS



1

90° BEND

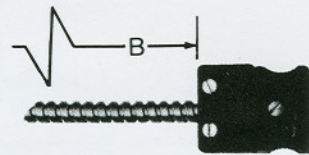
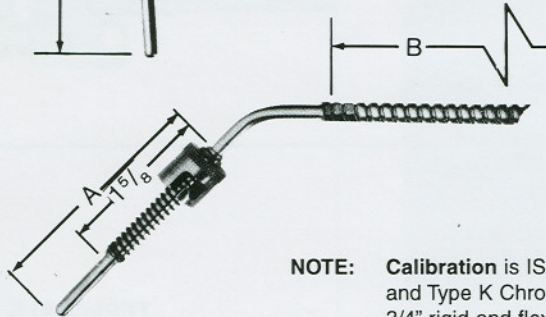
Catalog Number	Terminal Type
L08-6	1
L08-9	2
L08-12	3



2

45° BEND

Catalog Number	Terminal Type
L08-5	1
L08-8	2
L08-11	3



3

NOTE: Calibration is ISA standard grade Type J Iron-Constantan, Type T Copper-Constantan and Type K Chromel-Alumel can be furnished on request. **Stainless Steel Construction**, 3/4" rigid and flexible tubing; Inconel X* springs; 20 gauge fiberglass insulated wire. **Adaptors** are not furnished with thermocouples and must be ordered separately. See page 9
* trademark of International Nickel Co.

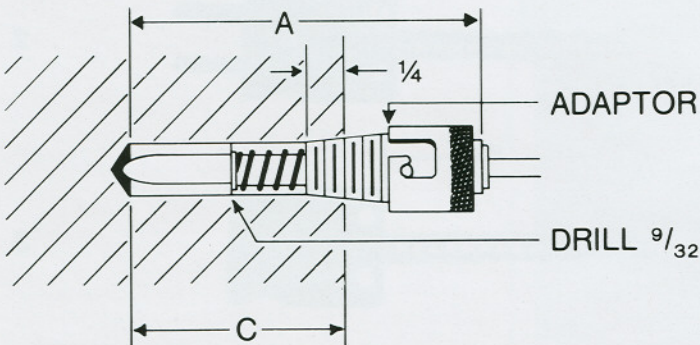
HOW TO ORDER:

1. Indicate catalog number.
2. Specify "A" length.
3. Specify "B" length.

For dual element add suffix "D" to catalog number.

SELECTION TABLE FOR "A" DIMENSION OF FIXED LENGTH BAYONET TYPE THERMOCOUPLE

"C" Hole Depth In Inches	"A" Dimension Inches		
	7/8" Long Adaptor	1 3/8" Long Adaptor	2 1/2" Long Adaptor
1/4 to 1/2	1 5/8	2	3 1/8
1/2 to 1	2	2 1/2	3 5/8
1 to 1 1/2	2 1/2	3	4 1/8
1 1/2 to 2	3	3 1/2	4 5/8
2 to 2 1/2	3 1/2	4	5 1/8
2 1/2 to 3	4	4 1/2	5 5/8
3 to 3 1/2	4 1/2	5	6 1/8
3 1/2 to 4	5	5 1/2	6 5/8
4 to 4 1/2	5 1/2	6	7 1/8
4 1/2 to 5	6	6 1/2	7 5/8
5 to 5 1/2	6 1/2	7	8 1/8
5 1/2 to 6	7	7 1/2	8 5/8
6 to 6 1/2	7 1/2	8	9 1/8



Selection of adaptor and hole depth "C" determines the required "A" dimension. See chart at right.