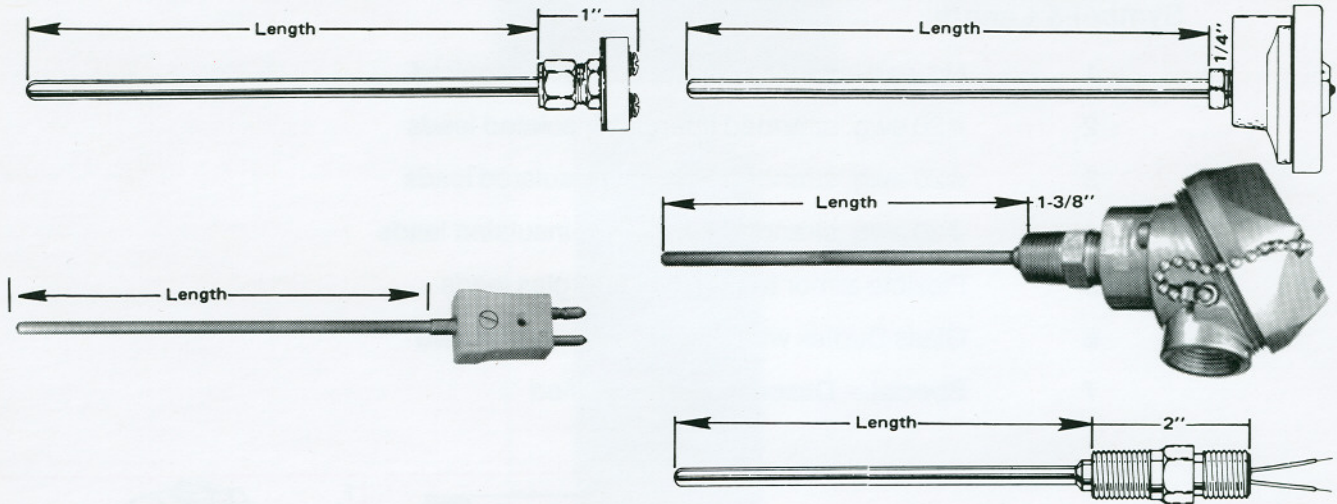


Immersion Range

Specify in inches as Illustrated Table 5

Sheath Diameter	Thermocouple Element	Sheath Material	Measuring Junction	Immersion Range	Mounting Fitting	Cold-end Termination
Table #1	Table #2	Table #3	Table #4	Table #5	Table #6	Table #7



Mounting Fitting

Table 6

Sheath Diameter	Thermocouple Element	Sheath Material	Measuring Junction	Immersion Range	Mounting Fitting	Cold-end Termination
Table #1	Table #2	Table #3	Table #4	Table #5	Table #6	Table #7

Ordering Code

FB
FS



Fixed fitting brazed or welded to sheath for mounting thermocouple at a predetermined depth. Available in either brass or stainless steel. Specify NPT size when ordering. Example FB1/4"

AD



This adjustable compression fitting can be utilized at any point along the sheath. Available in either brass or stainless steel. NPT sizes of 1/8" or 1/4". Specify metal and thread size when ordering. Example: AD SS 1/4"

SL



Spring loaded adapters may be affixed to diameters 1/16, 1/8 & 3/16 inches